

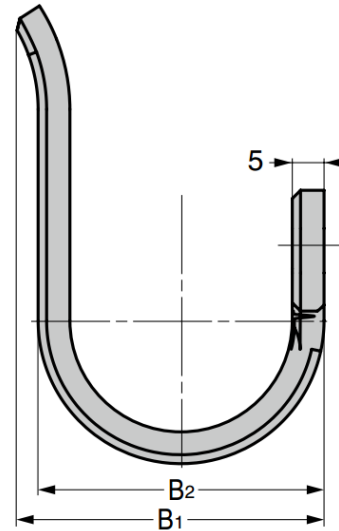
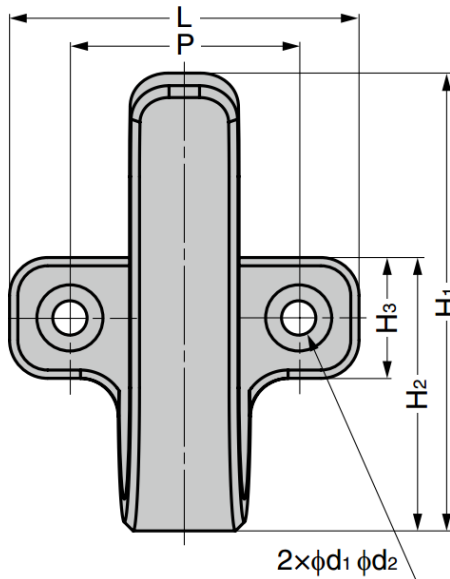
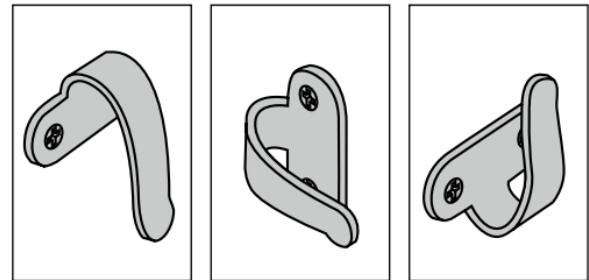
G5H Large Utility Hook

Features

- Chamfered design
- Can be used for various applications
- Available in two finishes

Parts Included

- **G5H-45:** Raised countersunk head wood screw 4.1×20 (SUS)
- **G5H-60:** Raised countersunk head wood screw 4.1×25 (SUS)
- **G5H-85:** Raised countersunk head wood screw 5.8×25 (SUS)



Part No.	Material	Finish	L	P	H ₁	H ₂	H ₃	B ₁	B ₂	d ₁	d ₂	Load Capacity
G5H-45M	Stainless Steel 304	Polished	45	30	56	34.5	15	37.9	32.5	4.5	9	370 N 38 kg
G5H-45TT		Polished and Satin										
G5H-60M		Polished	60	40	72.7	43.4	19	47.7	43.5	5.5	10.5	350 N 36 kg
G5H-60TT		Polished and Satin										
G5H-85M		Polished	85	60	94	60.6	25	66.7	58.2	6.5	12.4	330 N 34 kg
G5H-85TT		Polished and Satin										